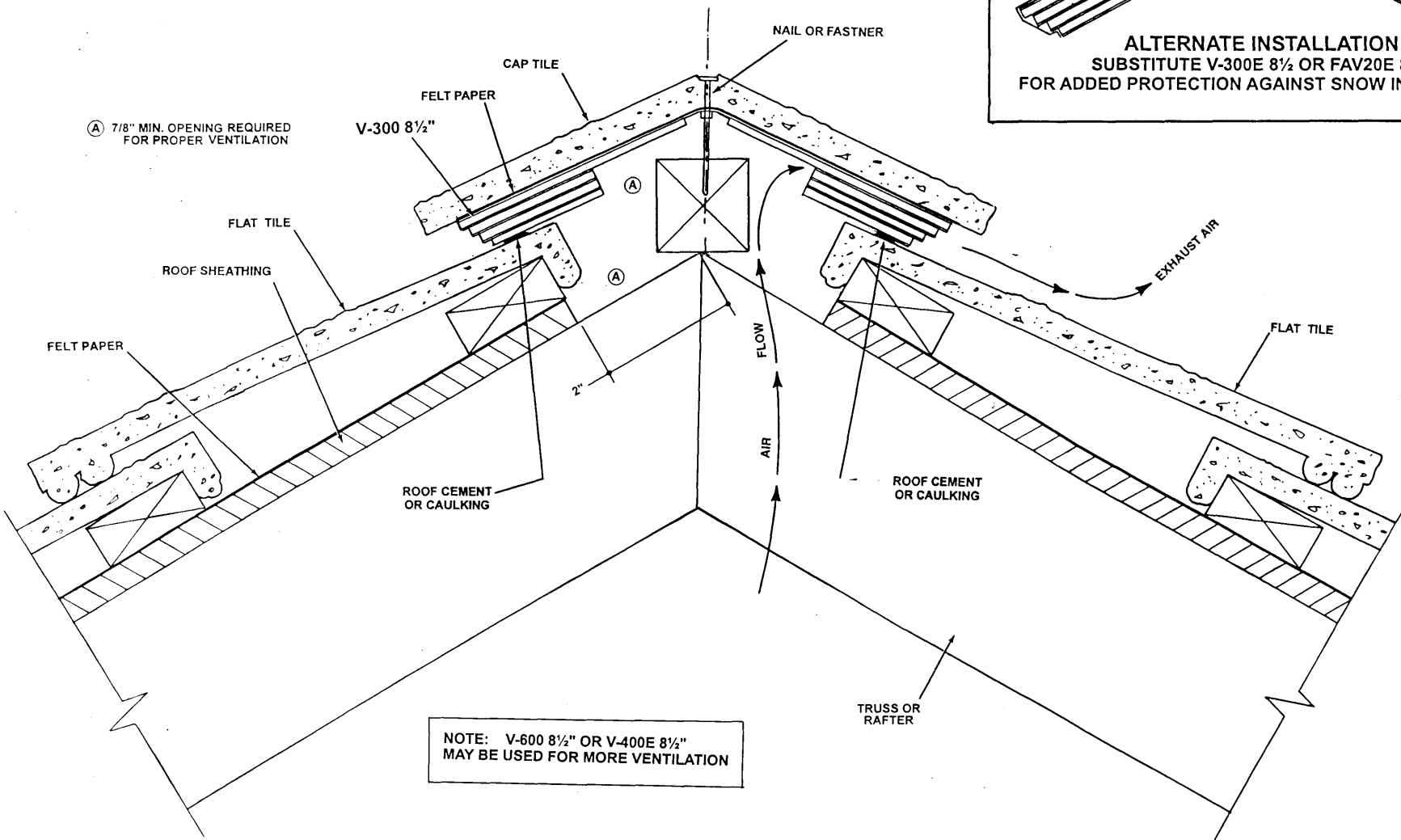
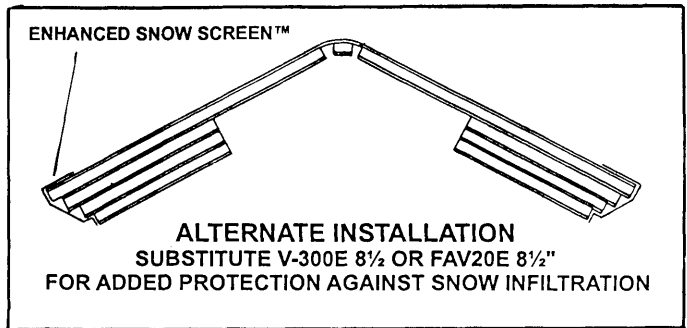


**COR-A-VENT V-300 8½"- W/FLAT TILE
ROOF TYPICAL APPLICATION**

NOTE: FAV20 8½"
MAY BE USED FOR THIS
APPLICATION ALSO



(A) 7/8" MIN. OPENING REQUIRED FOR PROPER VENTILATION



NOTE: V-600 8½" OR V-400E 8½"
MAY BE USED FOR MORE VENTILATION

NOTE: FOR DIMENSIONS OF ALL
COR-A-VENT PRODUCTS
PLEASE REFER TO
DRAWINGS COR-EV1 & 2

"This material may be duplicated only for the purposes of specifying Cor-A-Vent products. No permission is given to duplicate or otherwise copy this material for any other purpose without the express written permission of Cor-A-Vent, Inc."
©2005 COR-A-VENT, INC.

COR-A-VENT, INC. P.O. BOX 428, MISHAWAKA, IN 46546-0428 800-837-8368		
SCALE:	APPROVED BY G. SELLS	DRAWN BY S.R
DATE: 07/01/05	COR-A-VENT V-300/8 1/2" W/FLAT TILE ROOF TYPICAL APPLICATION	
ARCHITECTS REF. DRAWING		DRAWING NUMBER COR-TS2