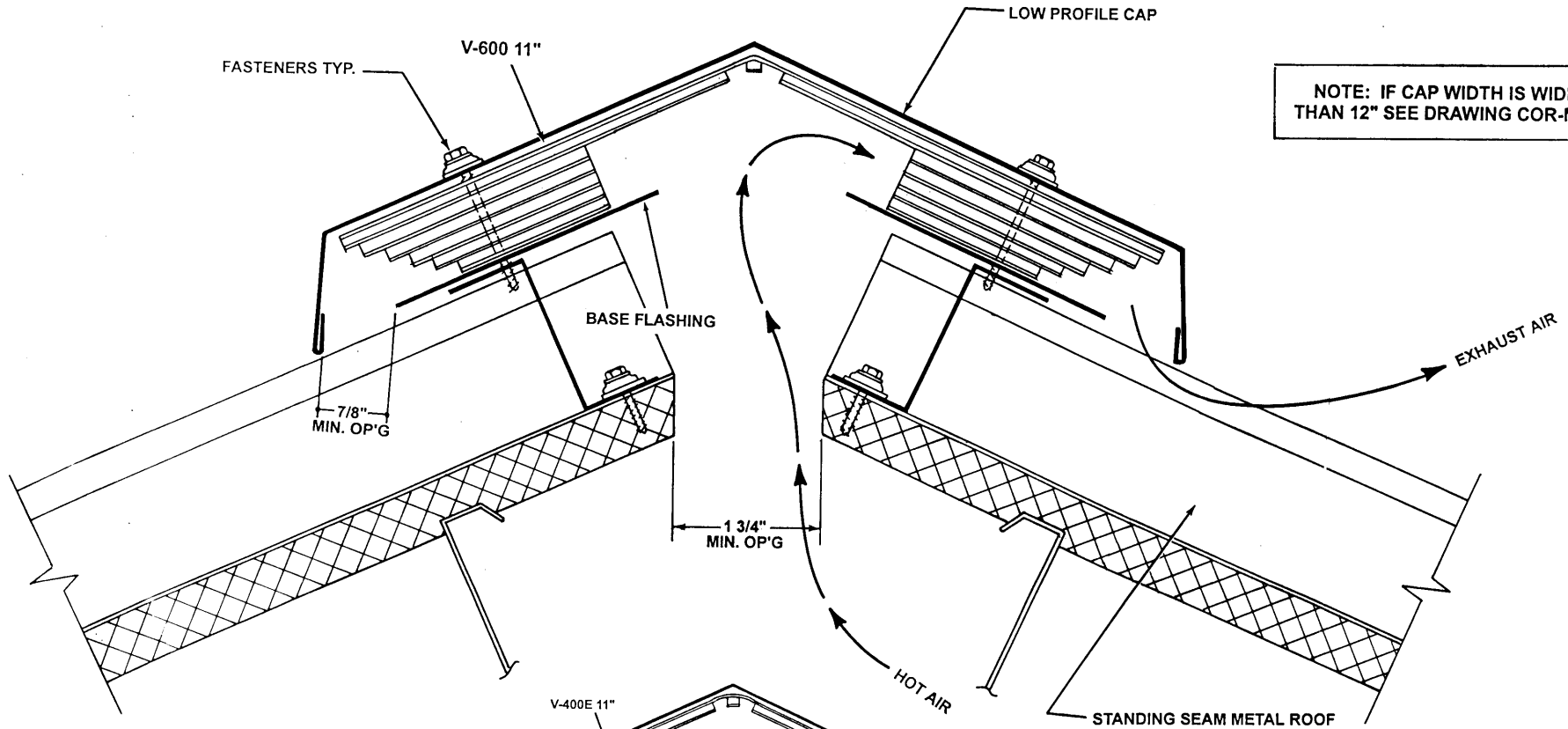
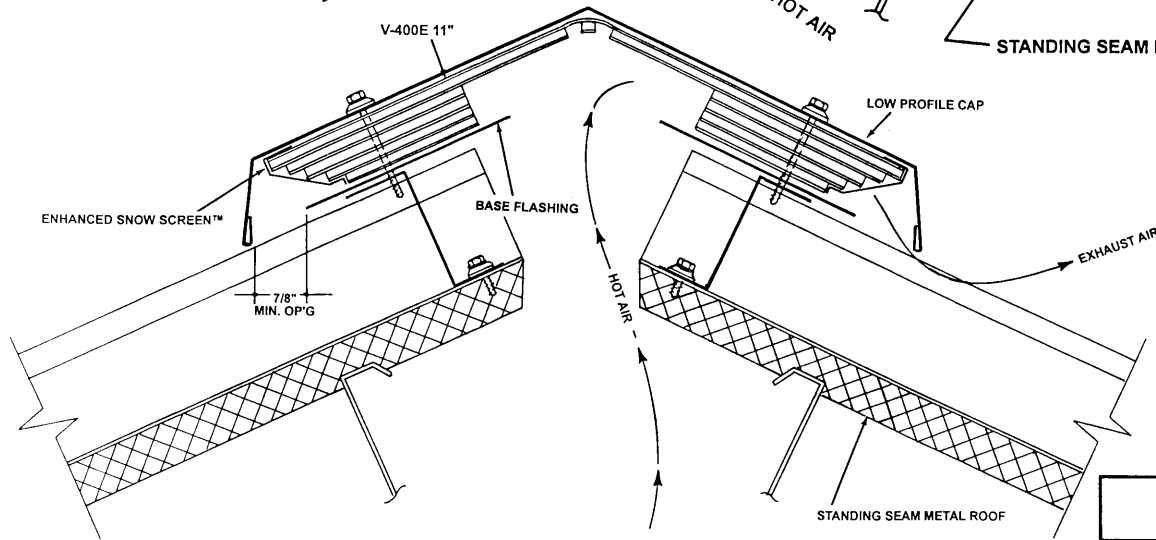


**COR-A-VENT V-600 11" W/STANDING SEAM
METAL ROOFING & 12" WIDE CAP**



**NOTE: IF CAP WIDTH IS WIDER
THAN 12" SEE DRAWING COR-MTL2**



"This material may be duplicated only for the purposes of specifying Cor-A-Vent products. No permission is given to duplicate or otherwise copy this material for any other purpose without the express written permission of Cor-A-Vent, Inc."
©2005 COR-A-VENT, INC.

**ALTERNATE INSTALLATION
SUBSTITUTE V-400E 11" FOR ADDED
PROTECTION AGAINST SNOW INFILTRATION**

NOTE: FOR DIMENSIONS OF ALL COR-A-VENT PRODUCTS PLEASE REFER TO DRAWINGS COR-EV1 & 2

COR-A-VENT, INC. P.O. BOX 428 MISHAWAKA, IN 46546-0428 800-837-8368		
SCALE	APPROVED BY	DRAWN BY
DATE: 07/01/05	G.SELLS	
COR-A-VENT V-600 11" W/STANDING SEAM METAL ROOFING & 12" WIDE CAP		
ARCHITECT REF. DRAWING		DRAWING NUMBER COR-MTL1