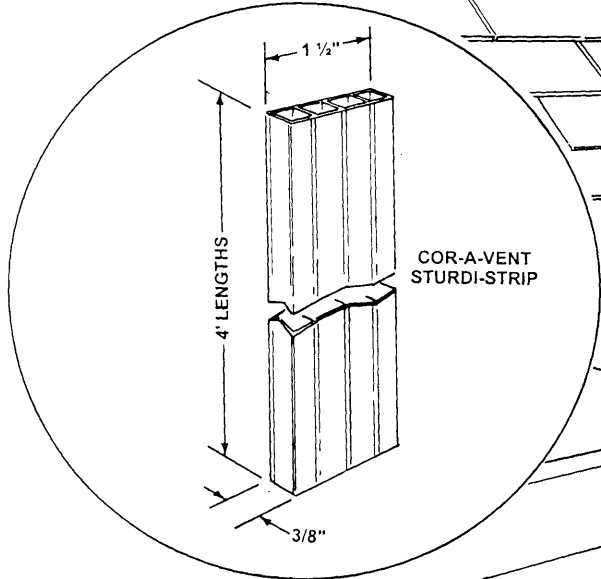
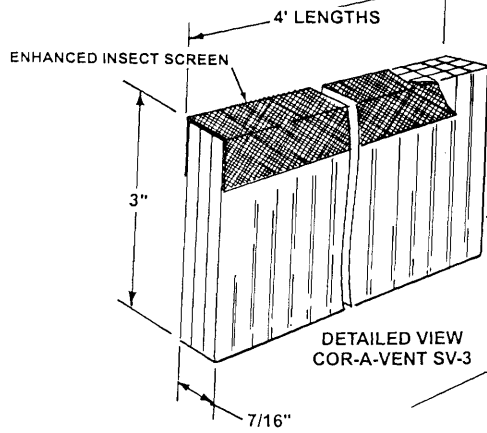


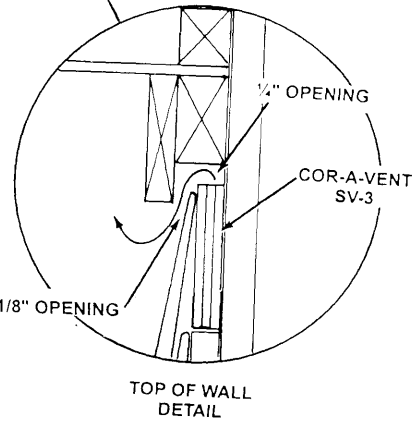
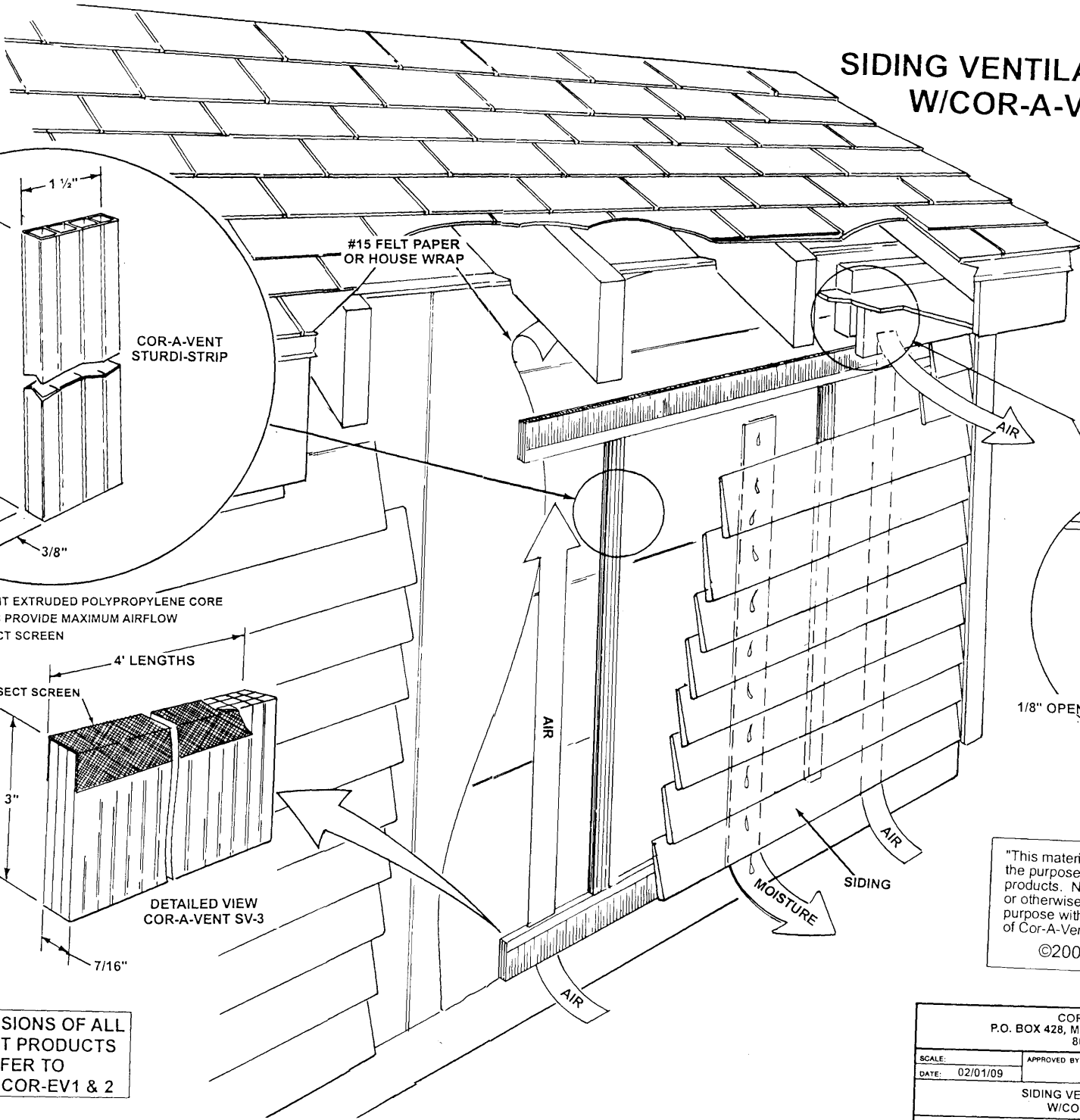
# SIDING VENTILATION DETAIL W/COR-A-VENT SV3



- CRUSH RESISTANT EXTRUDED POLYPROPYLENE CORE
- FLUTED AIRWAYS PROVIDE MAXIMUM AIRFLOW
- ENHANCED INSECT SCREEN



NOTE: FOR DIMENSIONS OF ALL COR-A-VENT PRODUCTS PLEASE REFER TO DRAWINGS COR-EV1 & 2



"This material may be duplicated only for the purposes of specifying Cor-A-Vent products. No permission is given to duplicate or otherwise copy this material for any other purpose without the express written permission of Cor-A-Vent, Inc."

©2009 COR-A-VENT, INC.

COR-A-VENT, INC. P.O. BOX 428, MISHAWAKA, IN 46546-0428 800-837-8368		
SCALE:	APPROVED BY	DRAWN BY
DATE: 02/01/09	G. SELLS	SR
SIDING VENTILATION DETAIL W/COR-A-VENT SV3		
ARCHITECT REFERENCE DRAWING		DRAWING NUMBER COR-SV3