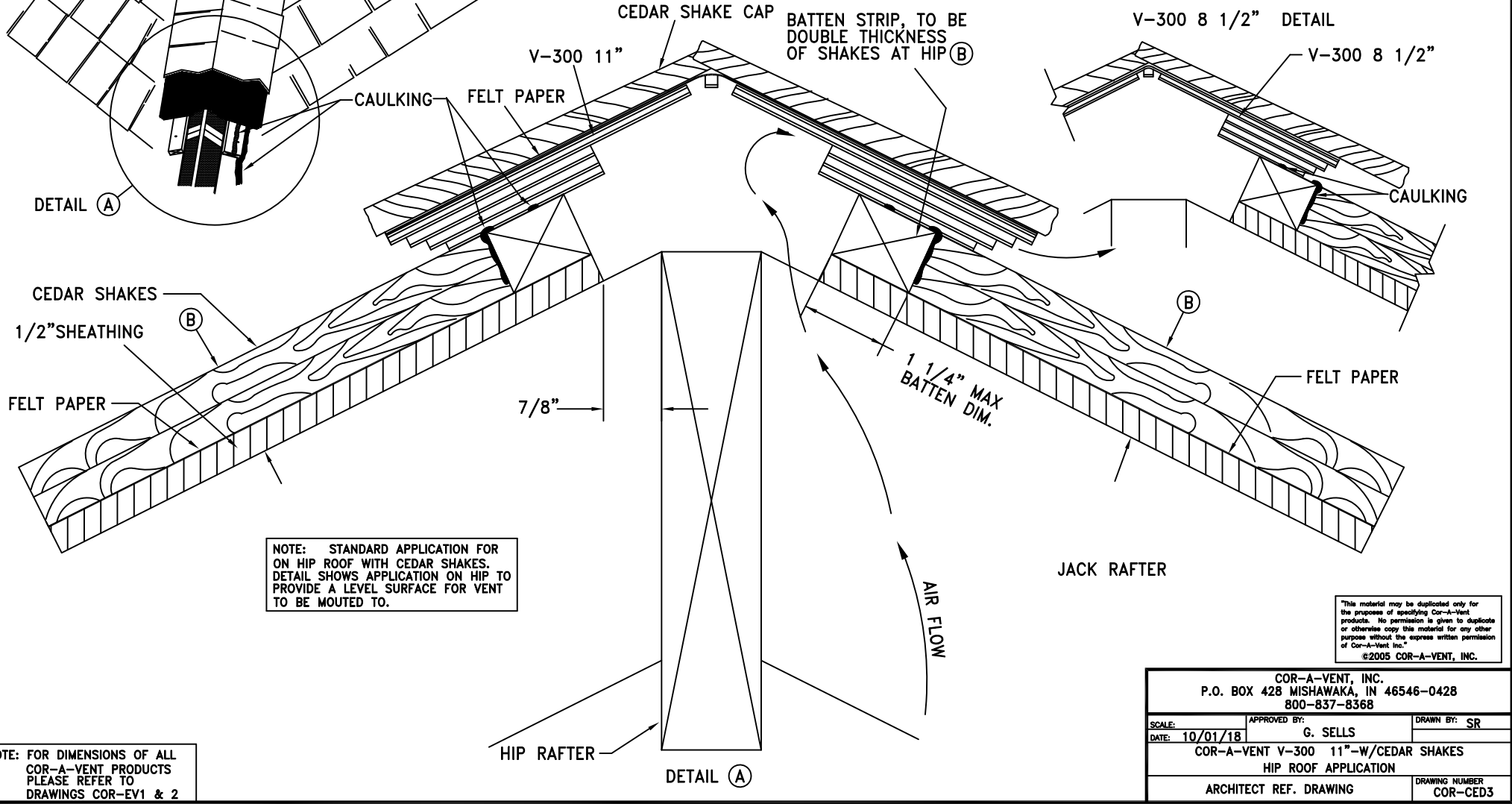
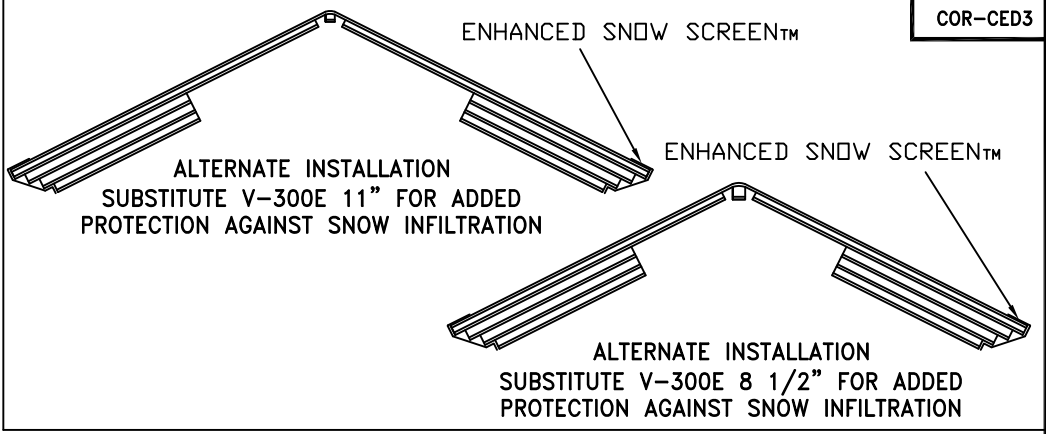
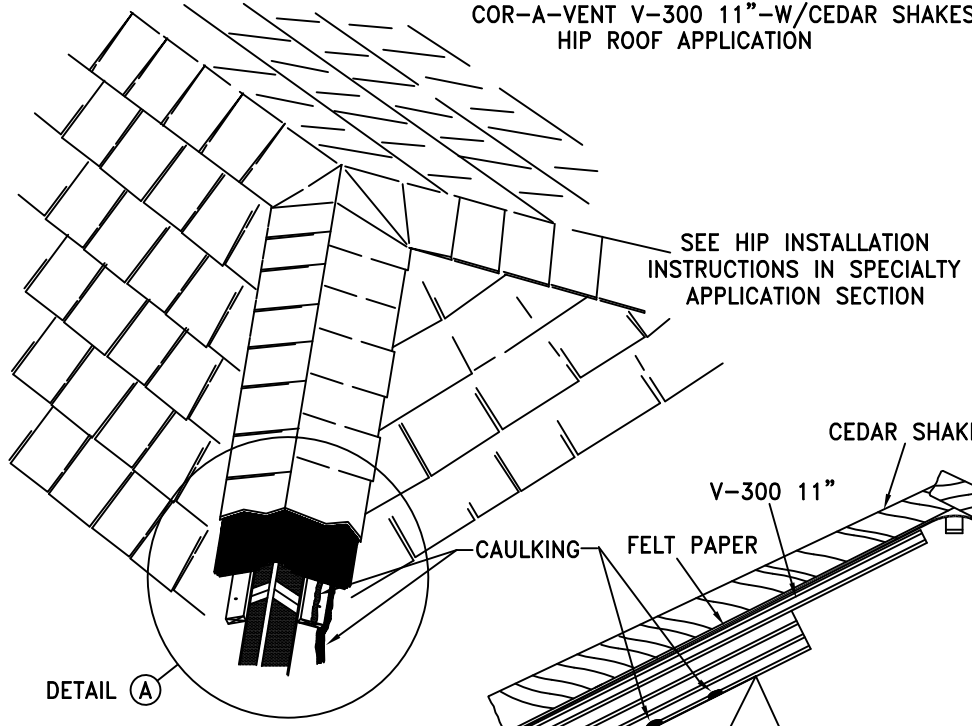


COR-A-VENT V-300 11"-W/CEDAR SHAKES
HIP ROOF APPLICATION



NOTE: STANDARD APPLICATION FOR ON HIP ROOF WITH CEDAR SHAKES. DETAIL SHOWS APPLICATION ON HIP TO PROVIDE A LEVEL SURFACE FOR VENT TO BE MOUNTED TO.

NOTE: FOR DIMENSIONS OF ALL COR-A-VENT PRODUCTS PLEASE REFER TO DRAWINGS COR-EV1 & 2

"This material may be duplicated only for the purposes of specifying Cor-A-Vent products. No permission is given to duplicate or otherwise copy this material for any other purpose without the express written permission of Cor-A-Vent Inc."
©2005 COR-A-VENT, INC.

COR-A-VENT, INC. P.O. BOX 428 MISHAWAKA, IN 46546-0428 800-837-8368		
SCALE:	APPROVED BY:	DRAWN BY: SR
DATE: 10/01/18	G. SELLS	
COR-A-VENT V-300 11"-W/CEDAR SHAKES HIP ROOF APPLICATION		
ARCHITECT REF. DRAWING	DRAWING NUMBER COR-CED3	