

FIG.1
COR-A-VENT V-600@ 11" RIDGE VENT
W/ WIDE RIDGE BEAM AND
NOTCHED RAFTERS

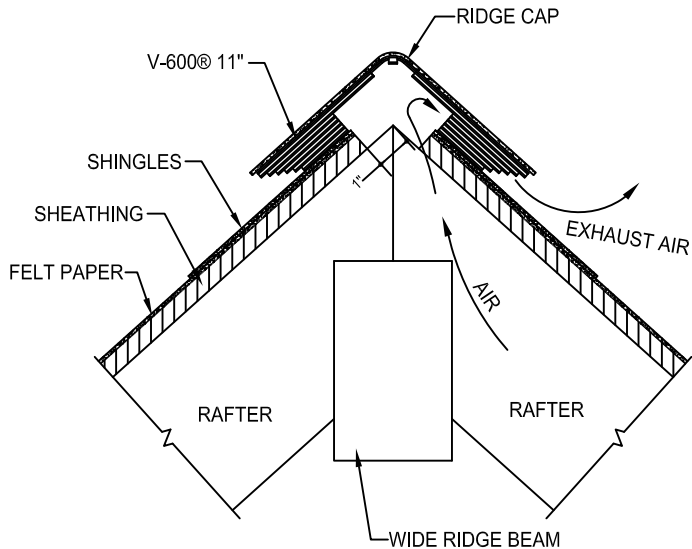


FIG.2
COR-A-VENT V-600@ (1/2 PC) RIDGE VENT
W/ WIDE RIDGE BEAM AND FLUSH RAFTERS

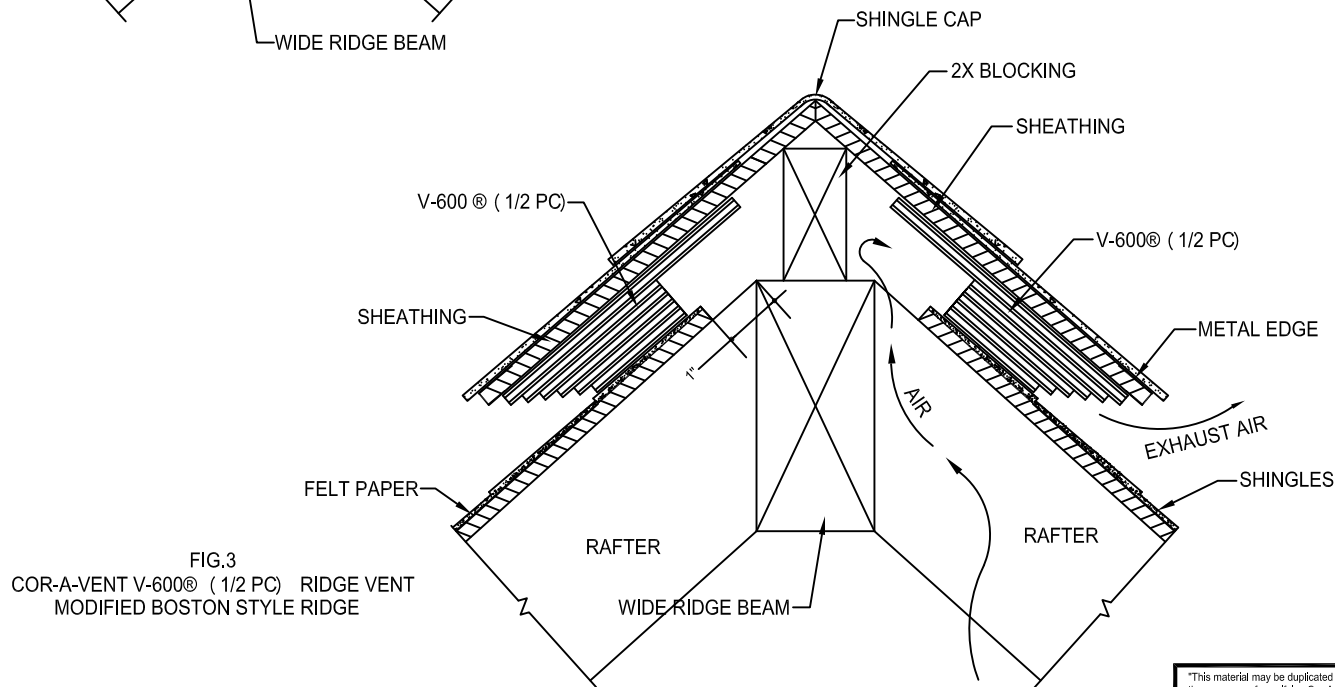
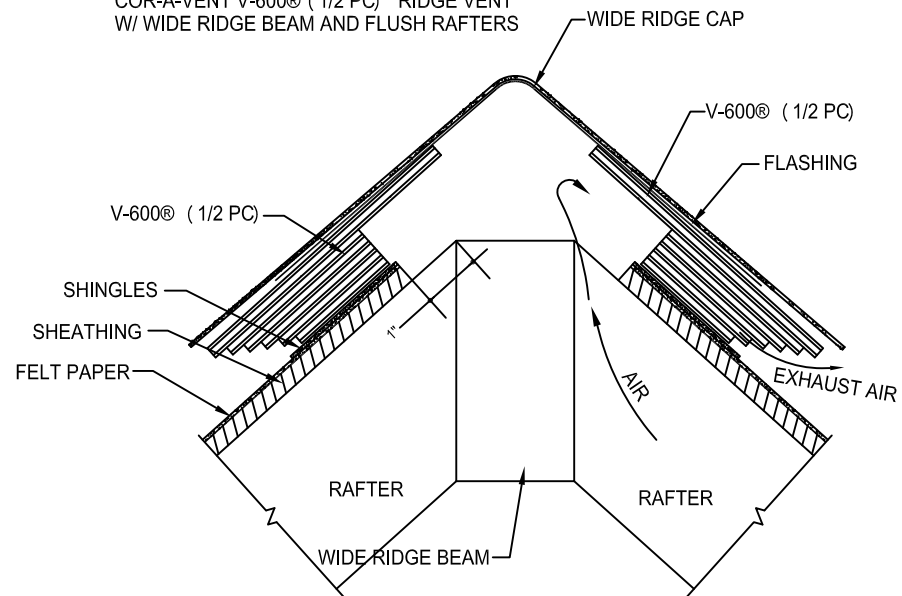


FIG.3
COR-A-VENT V-600@ (1/2 PC) RIDGE VENT
MODIFIED BOSTON STYLE RIDGE

ALTERNATE INSTALLATION
V-600@ E PRODUCTS MAY BE
SUBSTITUTED FOR THE V-600@ FOR
ADDED PROTECTION AGAINST
SNOW INFILTRATION

NOTE: FOR DIMENSIONS OF ALL
COR-A-VENT PRODUCTS
PLEASE REFER TO
DRAWINGS COR-EV1 & 2

"This material may be duplicated only for
the purposes of specifying Cor-A-Vent
products. No permission is given to duplicate
or otherwise copy this material for any other
purpose without the express written permission
of Cor-A-Vent Inc."
©2014 COR-A-VENT, INC.

COR-A-VENT, INC. P.O. BOX 428 MISHAWAKA, IN 46546-0428 800-837-8368		
SCALE:	APPROVED BY:	DRAWN BY: SR
DATE: 03/01/14	G. SELLS	
COR-A-VENT V-600@ 11" WIDE RIDGE BEAM APPLICATIONS		
ARCHITECT REF. DRAWING		DRAWING NUMBER COR-VAR4