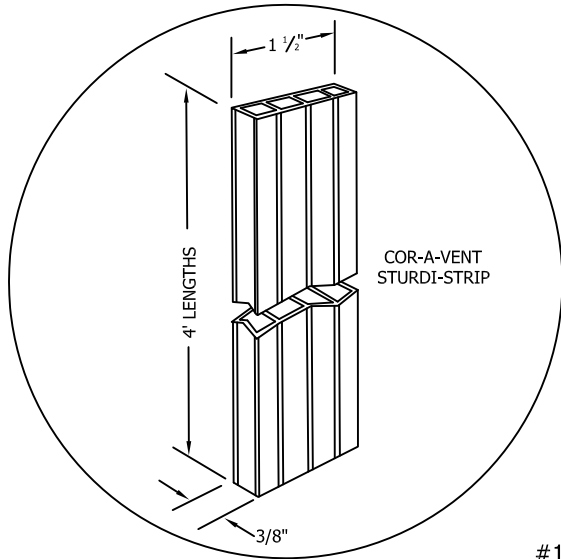
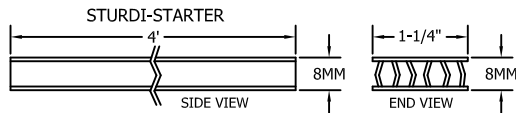
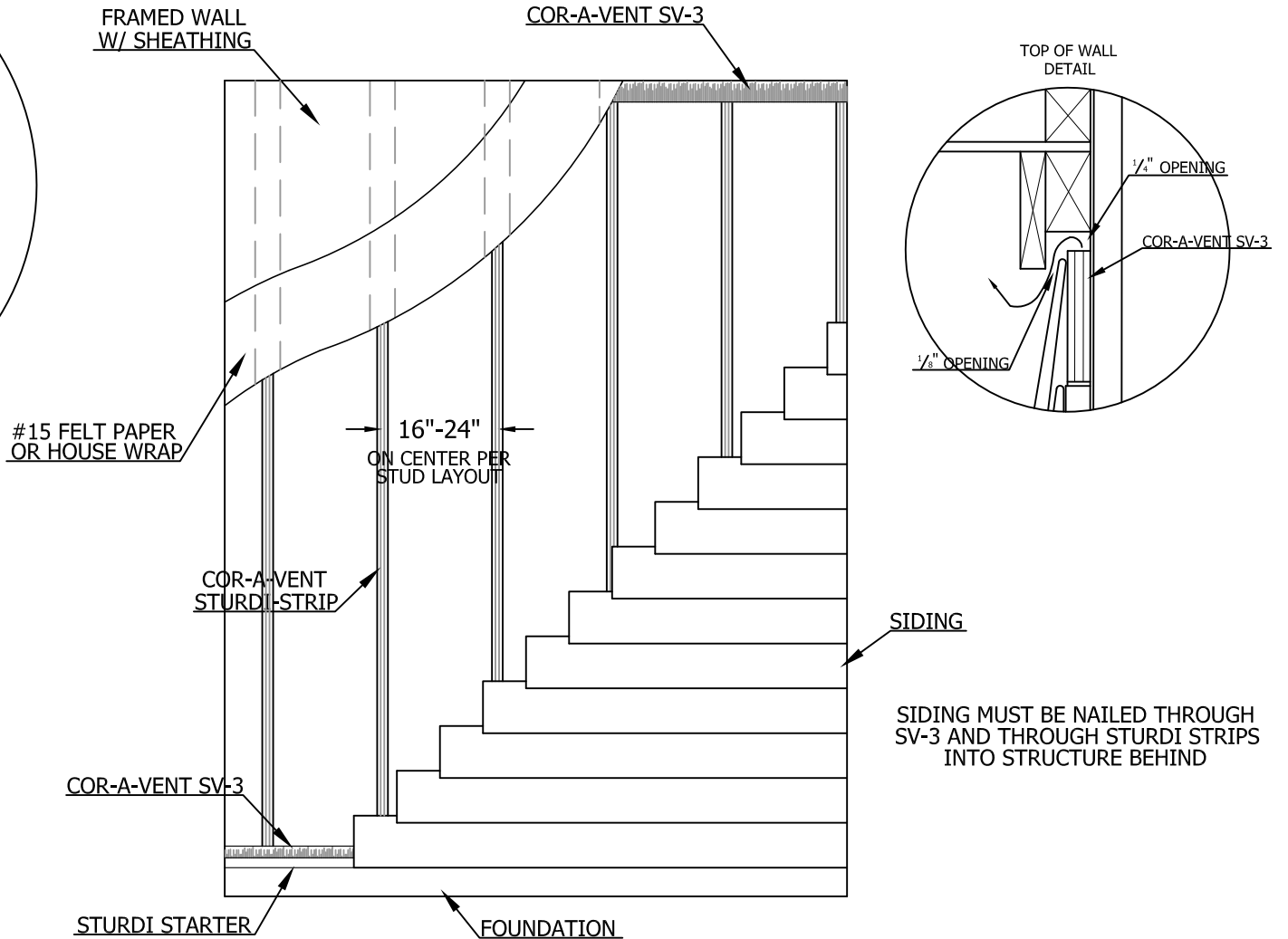
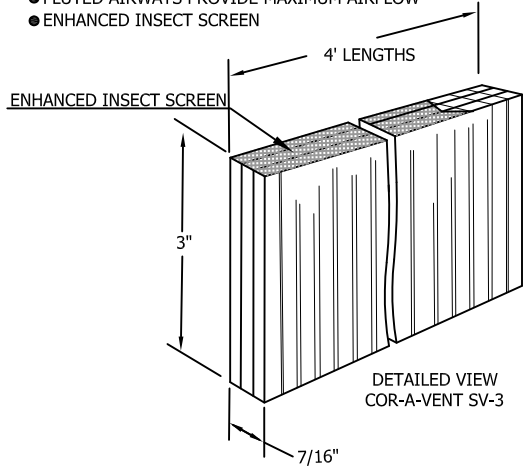


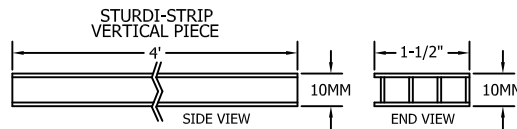
# RAINSCREEN SIDING VENTILATION DETAIL W/ COR-A-VENT SV-3™



- CRUSH RESISTANT EXTRUDED POLYPROPYLENE CORE
- FLUTED AIRWAYS PROVIDE MAXIMUM AIRFLOW
- ENHANCED INSECT SCREEN



- OPTIONAL STARTER STRIP ACCESSORY
- STURDI STARTER IS NON-VENTING



COR-A-VENT, INC. P.O. BOX 428, MISHAWAKA, IN 46546-0428 800-837-8368		
SCALE: N.T.S.	APPROVED BY: G. SELLS	DRAWN BY: BM
DATE: 3/6/15		
SIDING VENTILATION DETAIL W/ COR-A-VENT SV-3™		
ARCHITECT REFERENCE DRAWING		DRAWING NUMBER COR-SV-3