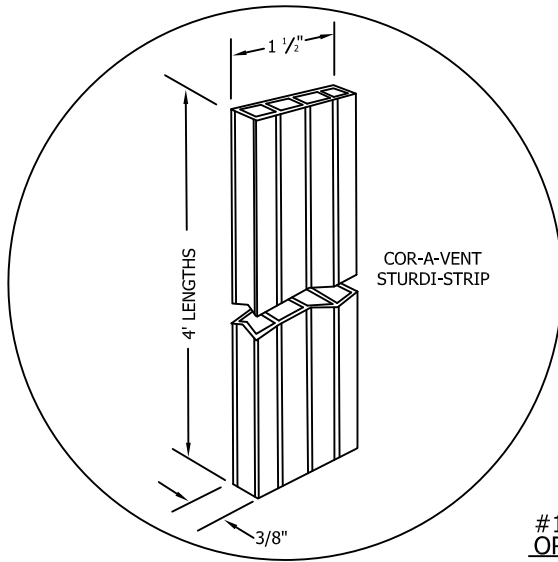


RAINSCREEN SIDING VENTILATION DETAIL W/ COR-A-VENT SV-5™



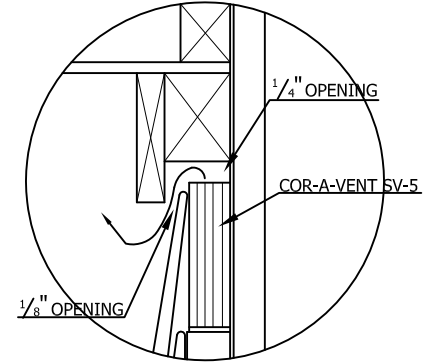
FRAMED WALL
W/ SHEATHING

COR-A-VENT SV-5

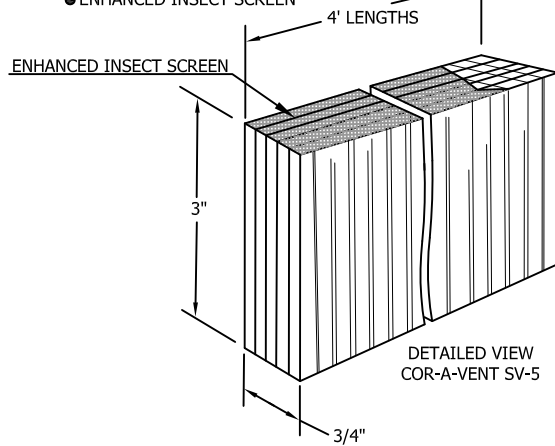
TOP OF WALL
DETAIL

#15 FELT PAPER
OR HOUSE WRAP

16"-24"
ON CENTER PER
STUD LAYOUT



- CRUSH RESISTANT EXTRUDED POLYPROPYLENE CORE
- FLUTED AIRWAYS PROVIDE MAXIMUM AIRFLOW
- ENHANCED INSECT SCREEN



3/4"x1-1/2" FURRING STRIPS
OR DOUBLED STURDI STRIPS

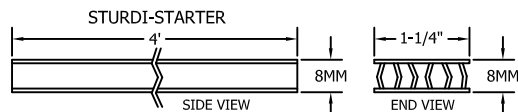
SIDING

SIDING MUST BE NAILED THROUGH
SV-5 AND THROUGH STURDI STRIPS
OR WOOD FURRING STRIPS
INTO STRUCTURE BEHIND

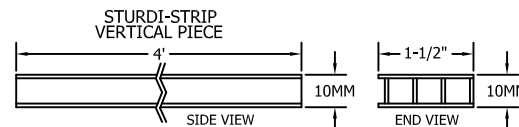
COR-A-VENT SV-5

STURDI STARTER

FOUNDATION



- OPTIONAL STARTER STRIP ACCESSORY
- STURDI STARTER IS NON-VENTING



- OPTIONAL INSTALLATION
DOUBLED-UP STURDI STRIPS CAN BE
USED IN PLACE OF WOOD FURRING STRIPS

COR-A-VENT, INC. P.O. BOX 428, MISHAWAKA, IN 46546-0428 800-837-8368		
SCALE: N.T.S.	APPROVED BY: G. SELLS	DRAWN BY: BM
DATE: 3/6/15		
SIDING VENTILATION DETAIL W/ COR-A-VENT SV-5™		
ARCHITECT REFERENCE DRAWING		DRAWING NUMBER COR-SV-5