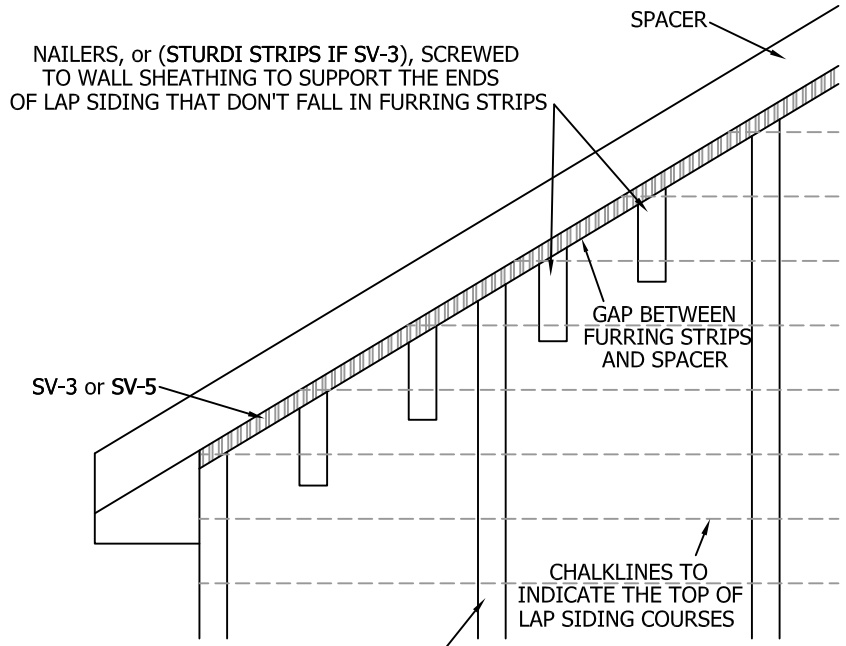
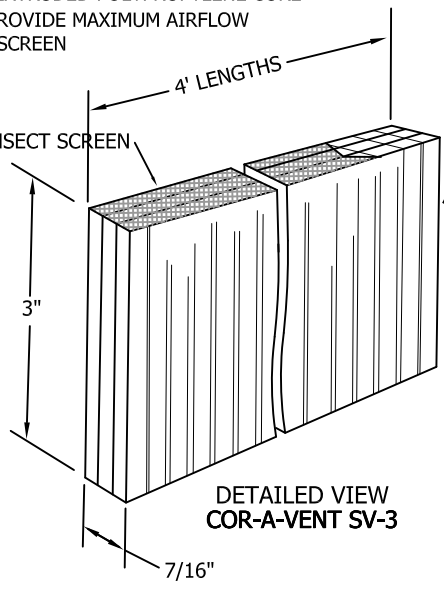
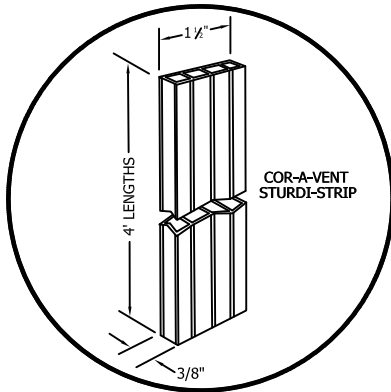


GABLE END RAIN SCREEN DETAIL FOR SV-3™ OR SV-5™

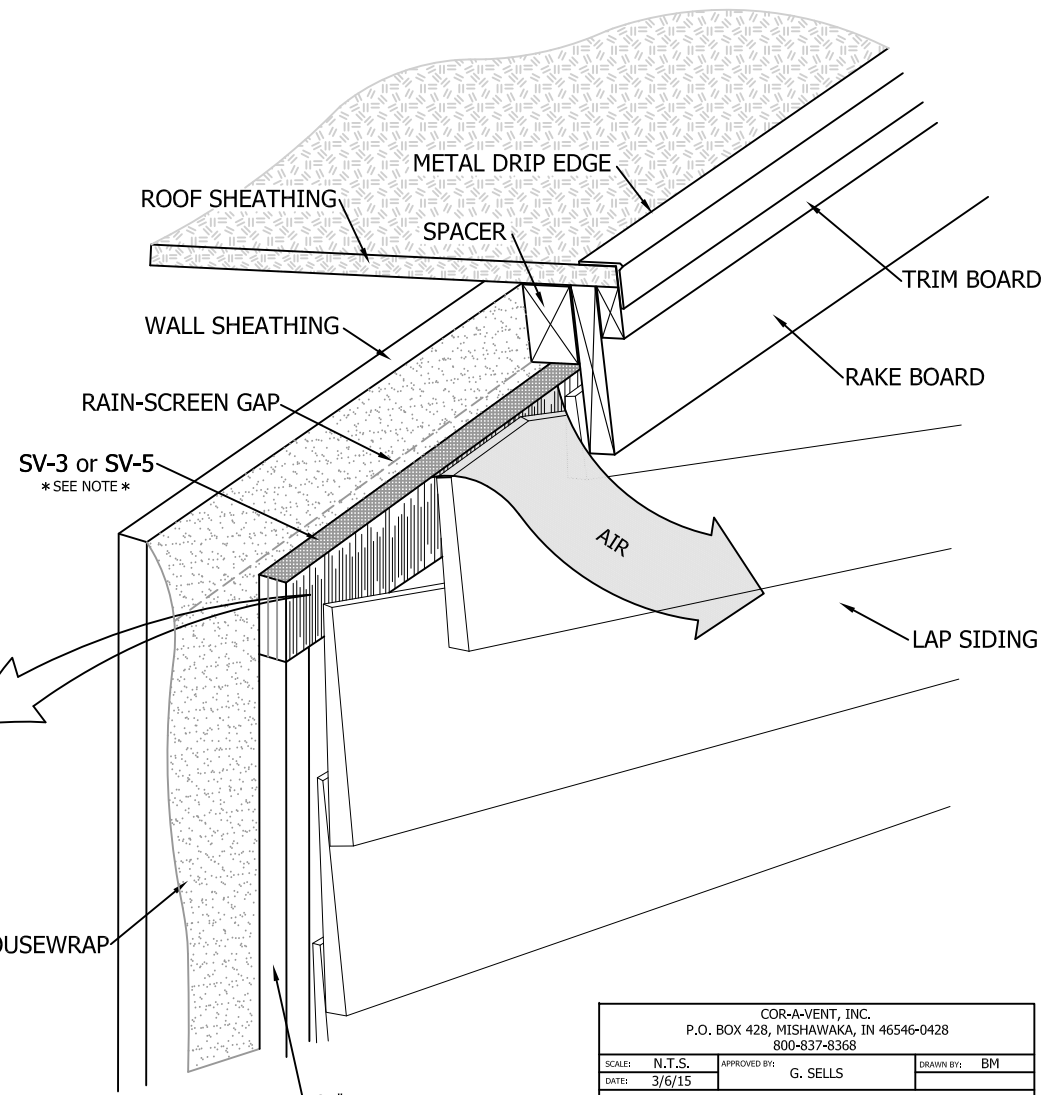


$\frac{3}{4}$ " FURRING STRIPS, or (STURDI STRIPS IF SV-3), FASTENED TO STUDS AND CUT AT ROOF PITCH @ 16" OR 24" ON CENTER
* SEE NOTE *

- CRUSH RESISTANT EXTRUDED POLYPROPYLENE CORE
- FLUTED AIRWAYS PROVIDE MAXIMUM AIRFLOW
- ENHANCED INSECT SCREEN



* SV3 REQUIRES A NOMINAL 1/2" FURRING STRIP & SV5 REQUIRES A NOMINAL 3/4" FURRING STRIP *



$\frac{3}{4}$ " FURRING STRIPS or STURDI STRIPS IF SV-3
* SEE NOTE *

COR-A-VENT, INC. P.O. BOX 428, MISHAWAKA, IN 46546-0428 800-837-8368			
SCALE: N.T.S.	APPROVED BY: G. SELLS	DRAWN BY: BM	
DATE: 3/6/15			
Gable End Rain Screen Detail with SV-3™ or SV-5™			
ARCHITECT REFERENCE DRAWING			DRAWING NUMBER COR - SVG