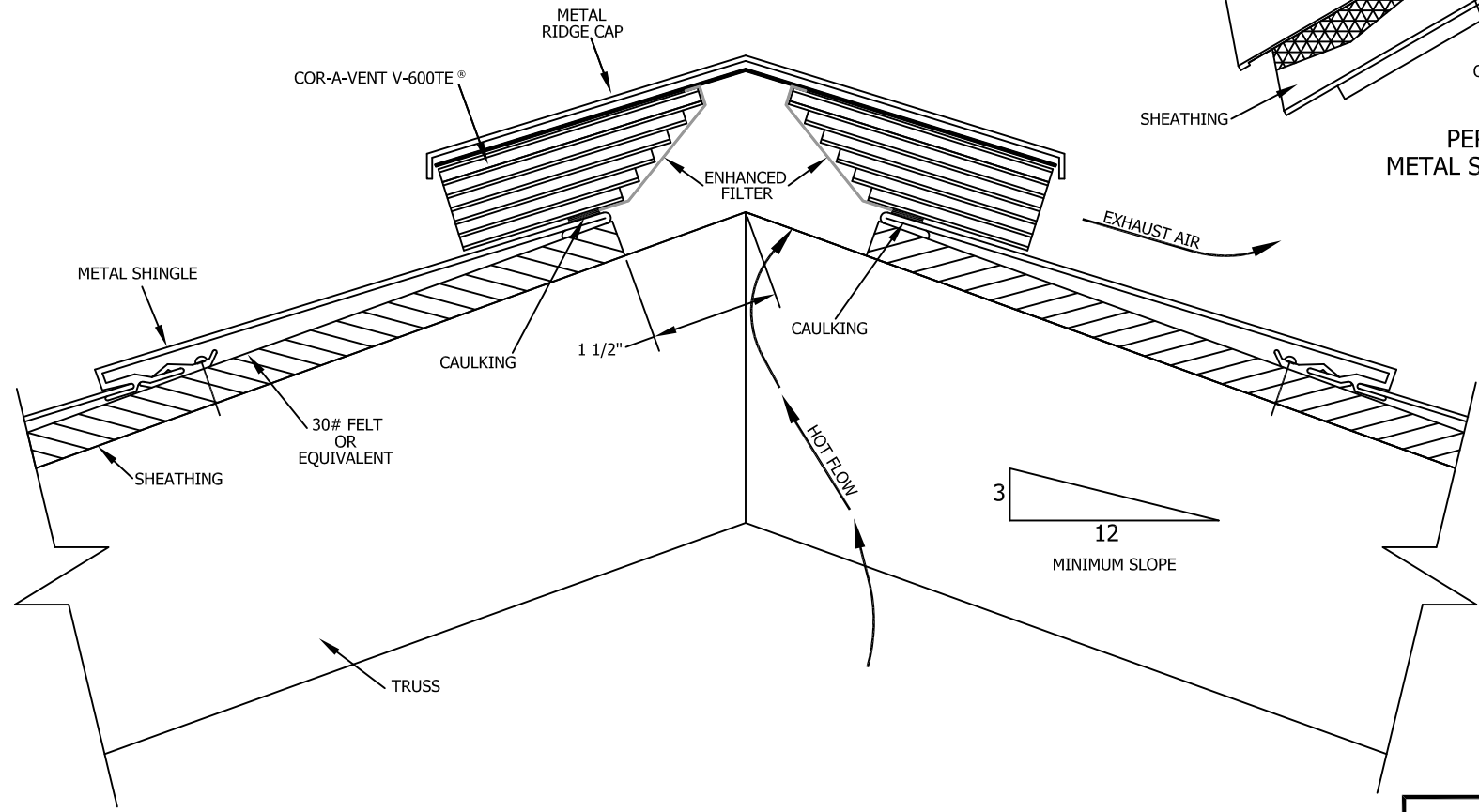
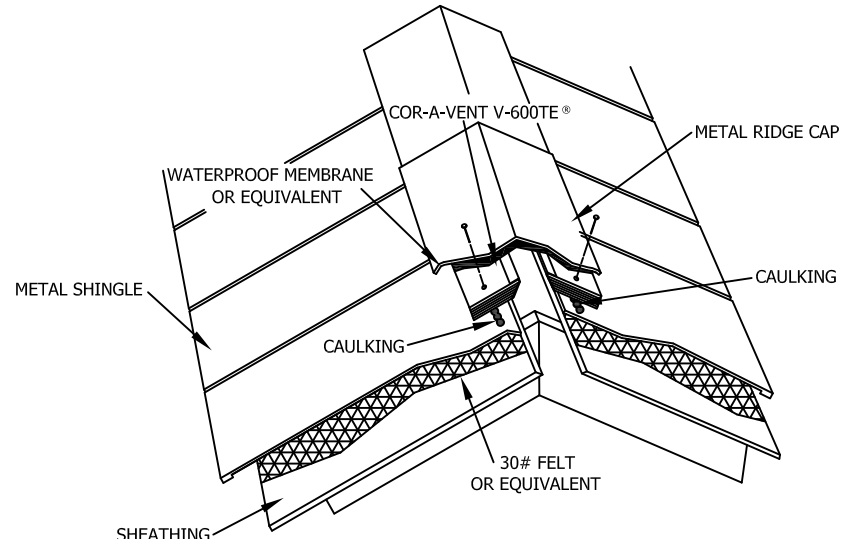


COR-A-VENT V-600TE[®] METAL SHINGLE ROOFING

NOTE: FOR DIMENSIONS OF ALL
COR-A-VENT PRODUCTS
PLEASE REFER TO
DRAWINGS COR-EV1 & 2



"This material may be duplicated only for the purposes of specifying Cor-A-Vent products. No permission is given to duplicate or otherwise copy this material for any other purpose without the express written permission of Cor-A-Vent Inc."
©2015 COR-A-VENT, INC.

COR-A-VENT, INC. P.O. BOX 428, MISHAWAKA, IN 46546-0428 800-837-8368		
SCALE: N.T.S.	APPROVED BY: G. SELLS	DRAWN BY: BM
DATE: 7/4/15		
COR-A-VENT V-600TE [®] METAL SHINGLE ROOFING		
ARCHITECT REFERENCE DRAWING		DRAWING NUMBER: COR-MTL6A