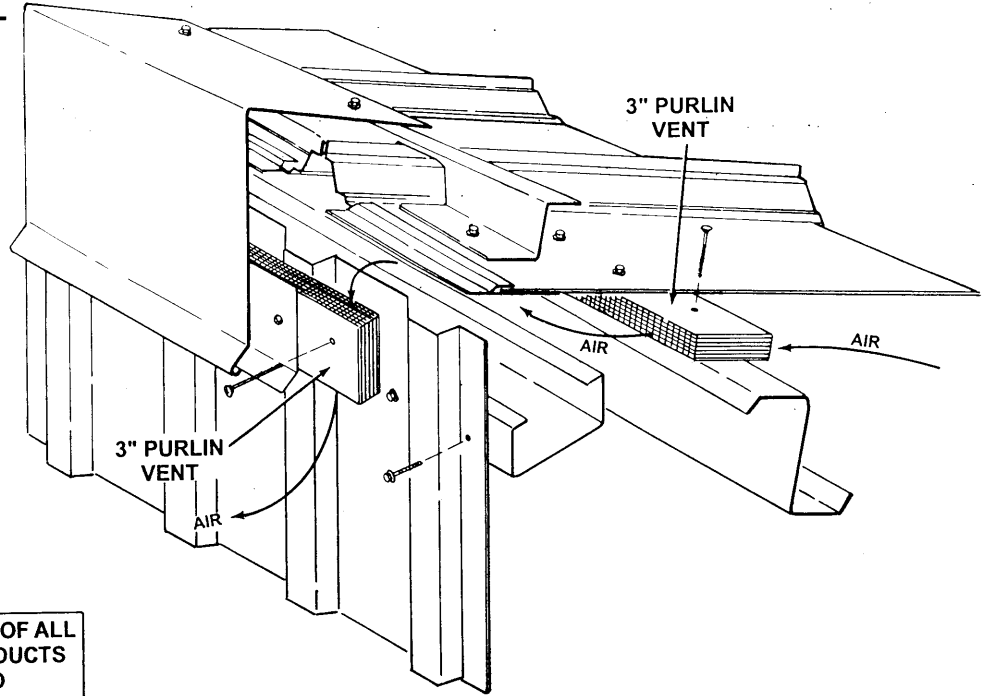
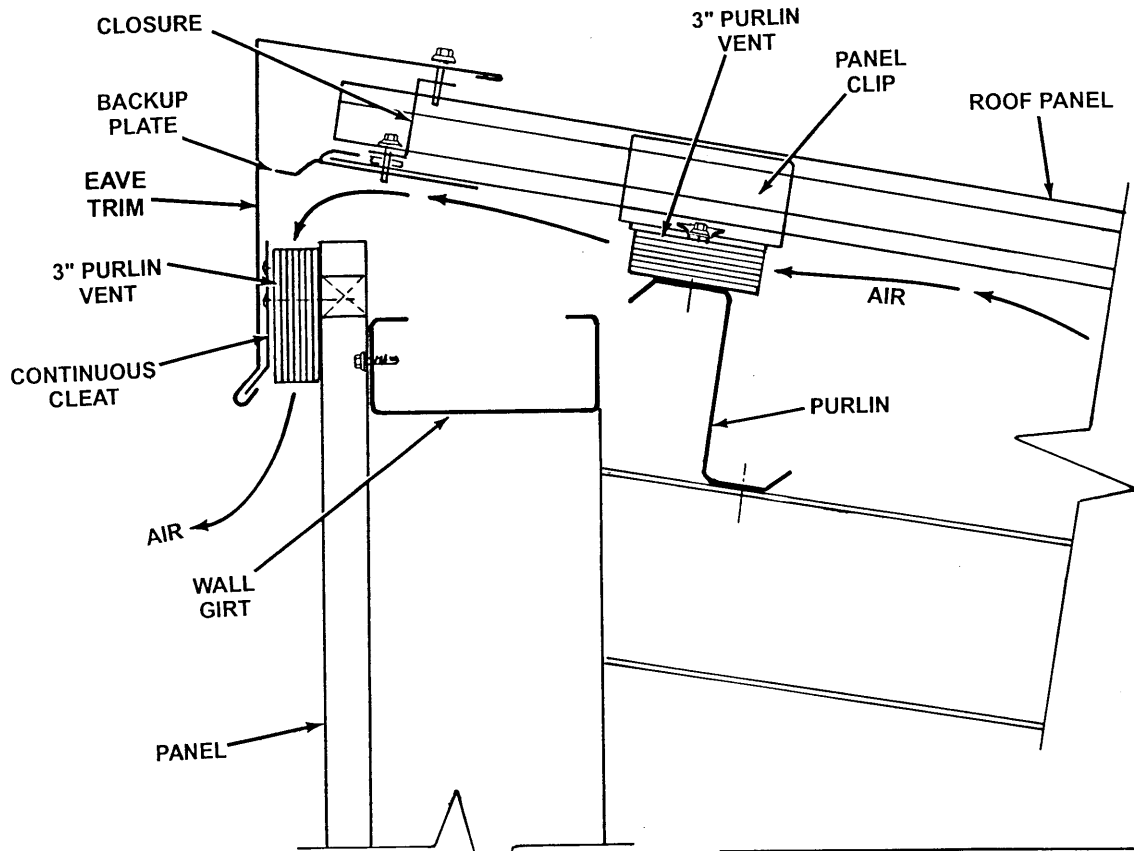


# COR-A-VENT 3" PURLIN VENT W/METAL ROOF APPLICATION SHED ROOF DETAIL



NOTE: FOR DIMENSIONS OF ALL  
COR-A-VENT PRODUCTS  
PLEASE REFER TO  
DRAWINGS COR-EV1 & 2



"This material may be duplicated only for the purposes of specifying Cor-A-Vent products. No permission is given to duplicate or otherwise copy this material for any other purpose without the express written permission of Cor-A-Vent, Inc."  
©2006 COR-A-VENT, INC.

COR-A-VENT, INC. P.O. BOX 428, MISHAWAKA, IN 46546-0428 800-837-8368		
SCALE:	APPROVED BY G. SELLS	DRAWN BY SR
DATE: 11-01-06	COR-A-VENT 3" PURLIN VENT W/METAL ROOF APPLICATION SHED ROOF DETAIL	
ARCHITECT REFERENCE DRAWING		DRAWING NUMBER COR-MTL7F