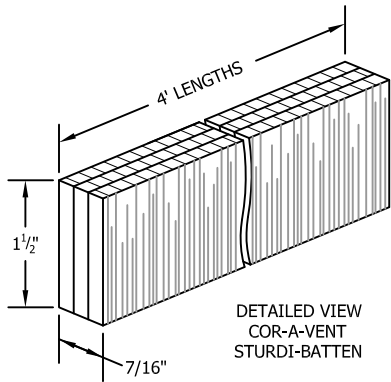
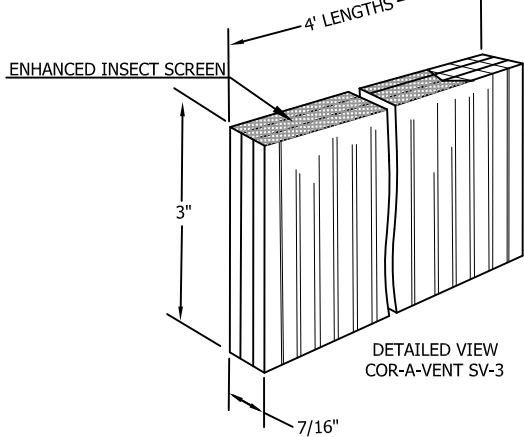


# SHINGLE OR SHAKE SIDING VENTILATION DETAIL W/ COR-A-VENT STURDI-BATTEN™ & SV-3™

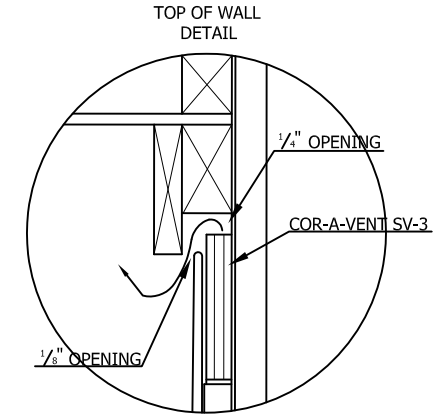
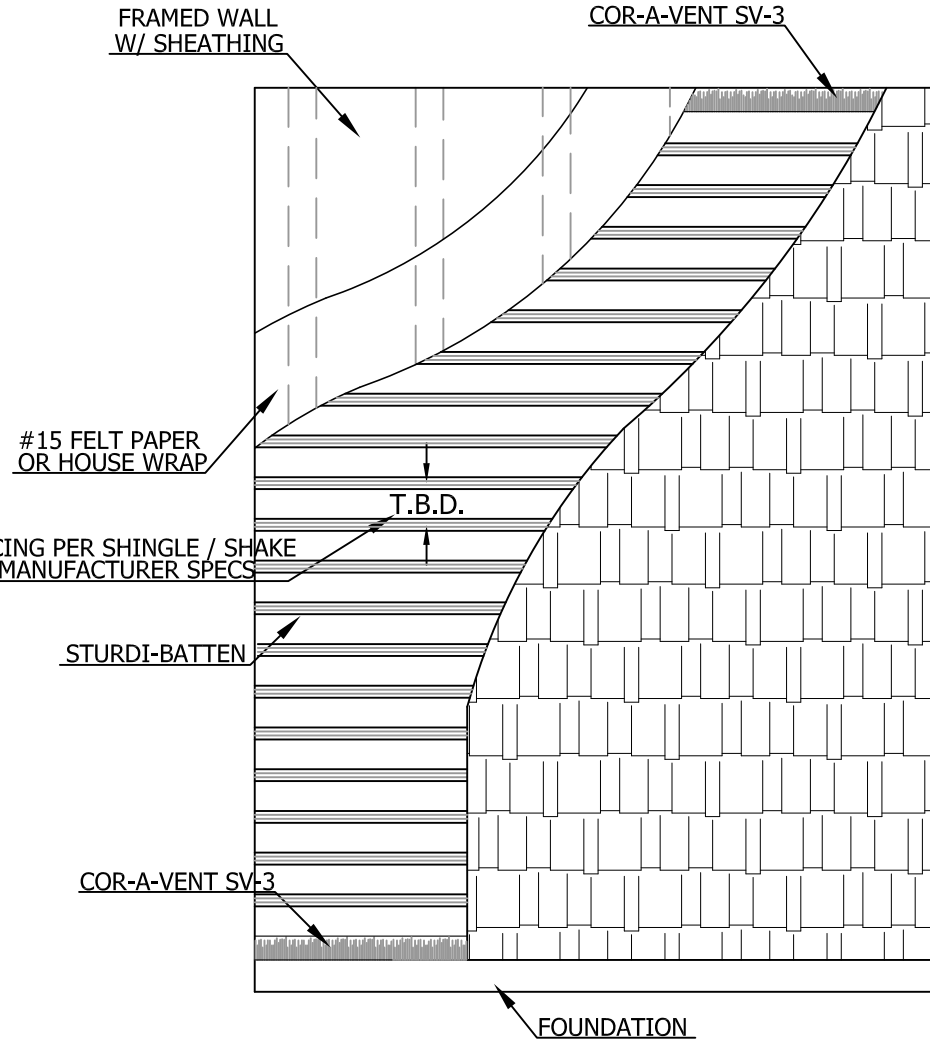
- CRUSH RESISTANT EXTRUDED POLYPROPYLENE CORE
- FLUTED AIRWAYS PROVIDE MAXIMUM AIRFLOW



- CRUSH RESISTANT EXTRUDED POLYPROPYLENE CORE
- FLUTED AIRWAYS PROVIDE MAXIMUM AIRFLOW
- ENHANCED INSECT SCREEN



SPACING BETWEEN STURDI-BATTEN  
PER SHINGLE / SHAKE MANUFACTURERS SPECS



SHINGLE / SHAKE MUST BE NAILED THROUGH  
SV-3 AND THROUGH THE STURDI-BATTEN  
INTO STRUCTURE BEHIND

"This material may be duplicated only for the purposes of specifying Cor-A-Vent products. No permission is given to duplicate or otherwise copy this material for any other purpose without the express written permission of Cor-A-Vent Inc."  
©2015 COR-A-VENT, INC.

COR-A-VENT, INC. P.O. BOX 428, MISHAWAKA, IN 46546-0428 800-837-8368		
SCALE: N.T.S.	APPROVED BY: G. SELLS	DRAWN BY: BM
DATE: 3/6/15		
SHINGLE OR SHAKE SIDING VENTILATION DETAIL W/ COR-A-VENT STURDI-BATTEN™ & SV-3™		
ARCHITECT REFERENCE DRAWING	DRAWING NUMBER COR-SB2	